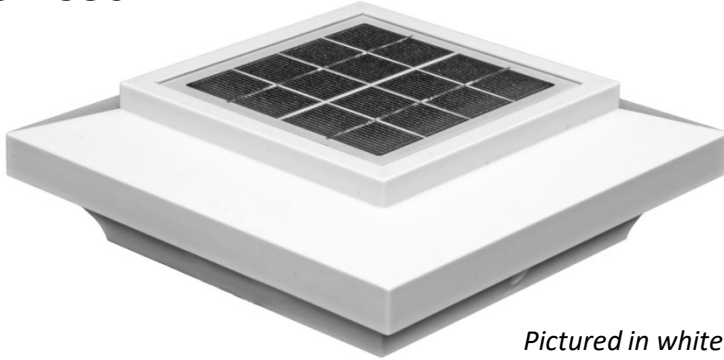


SOLAR POST CAP

UB-550AZ-X



Pictured in white

See www.ultrabrighttech.com for other color & size options

Solar Post Cap:

Ultra Bright's **Solar Post Cap Light** is the most advanced, powerful, robust, solar fence post light available. Add safety, elegance and ambience to your deck without the hassle of electrical wiring! Patented magnet technology allows users to easily adjust between 7-brightness levels to meet seasonal performance, brightness, & run preference.

Each side of the light has white, amber, and blue ultra-high intensity downward shining LEDs that automatically turn on at dusk and turn off at dawn. Hold a magnet for 5 seconds over the solar panel and the solar post cap light will change between the illuminating colors. Swipe the magnet quickly over the solar panel to adjust between 7-brightness levels or "OFF".



4-Season Rated



PATENTS PENDING



Copyright Protected Design

LIGHT CHARACTERISTICS

Light Source	36-Ultra High Intensity LEDs 12-White, 12-Blue, 12-Amber
Lumens output	10/20/35/50/65/80/100 Lumens * Varies with Brightness Levels
Available LED Colors	White, Blue & Amber
Light Mode	Constant * 7-Brightness levels
Visible Range	100m-300m+ (Depending on settings)
Horizontal Output (degrees)	360°
Vertical Divergence (degrees)	180°
LED Life Expectancy (hours)	> 100,000 hrs

ELECTRICAL CHARACTERISTICS

Circuit Protection	Integrated / Overcharge / Over Discharge / Constant Current
Nominal Voltage (v)	3.2v Battery, 4v Solar
Power / Brightness Levels	7 Levels, User Adjustable with Magnet
Autonomy (hours)	10-100hrs *On full Charge * Varies Brightness/Color Settings
Temperature Range	14-158° Fahrenheit

SOLAR CHARACTERISTICS

Solar Module Type	Tempered Glass + Monocrystalline Cell
Power (watts)	2.00 Watts
Solar Module Efficiency (%)	18 % Super High Efficiency Cells

POWER SUPPLY

Battery Type	LiFePo4 (Lithium Phosphate)
Battery Size	1pcs IFR 22650E
Battery Capacity (mAh)	2,000 mA
Nominal Voltage (v)	3.2v
Battery Service Life	1-3 years *(Varies with local Environment)
Battery Service Access	Yes: User Changeable / Replaceable

PHYSICAL CHARACTERISTICS

Body Material	High Performance ASA
Lens Material	Bayer UV Stabilized Poly Carbonate
External Lens Design	Smooth / Clear
Internal Lens design	NA
Water Proof Rating	IP 68
Base Options: (Post Sizes)	5.50"x5.50" – Azek + Trex 6x6 + Wood 6x6
Height	2-3/4" (70mm)
Width / Width	8-1/4" x 8-1/4" (210x210mm)
Weight	2.4 lbs

OTHER

Other Options & Sizes	Please Contact
1yr Limited Warranty	* Information subject to change without notice



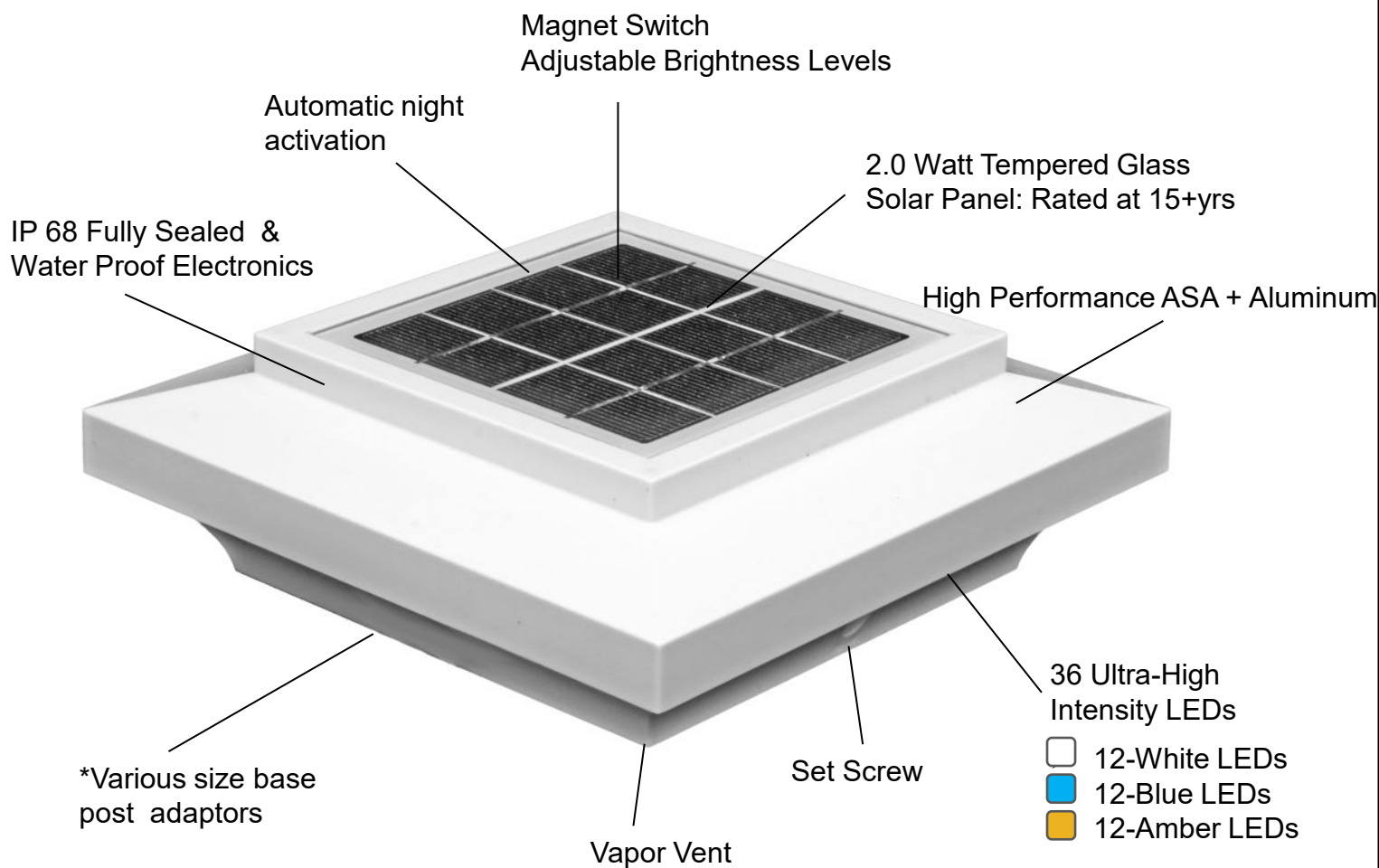
Ultra Bright Tech
100 Industrial Dr.
Avilla, IN 46710

Phone: 260-239-0974 / 260-918-2758
E-mail sales@ultrabrighttech.com
Web: www.ultrabrighttech.com

SOLAR POST CAP

- ✔ 4-10X More Powerful Solar Panel
- ✔ 5-20X Brighter Light
- ✔ 10x Longer Service Life
- ✔ Changeable LED Colors
- ✔ Lithium Phosphate Battery
- ✔ 7 Adjustable Brightness Levels
- ✔ IP 68 Waterproof Electronics
- ✔ White/Blue/Amber LEDs

* NOTE: Information is a general reference in comparison to the best solar fence post lights we were able to find on the market.



PATENTS PENDING



Copyright Protected Design



4-Season Rated



Ultra Bright Tech
100 Industrial Dr.
Avilla, IN 46710

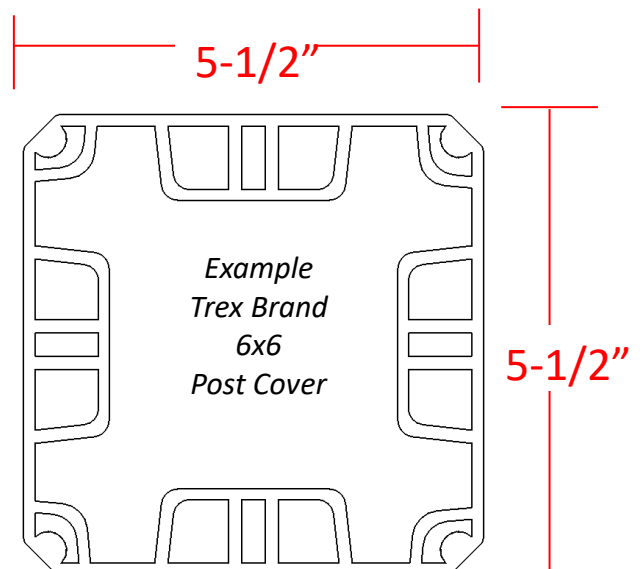
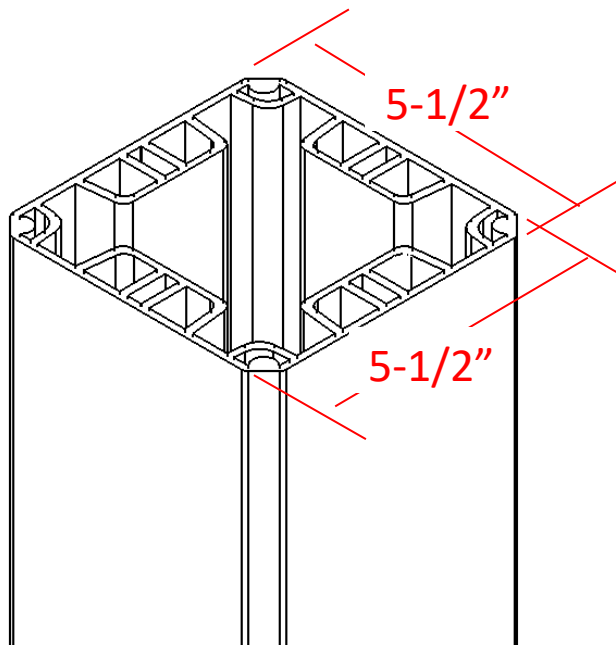
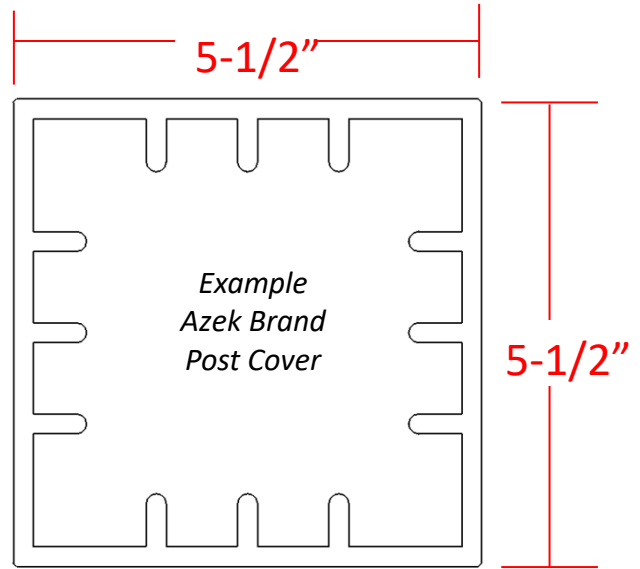
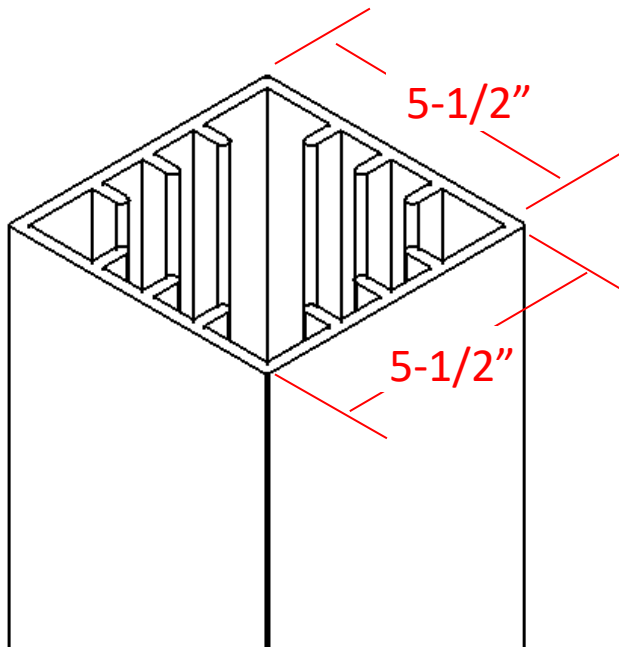
Phone: 260-239-0974 / 260-918-2758
E-mail sales@ultrabrighttech.com
Web: www.ultrabrighttech.com

BASE OPTIONS AVAILABLE

Ultra Bright Base Option	Fits General Post Size	* Various Popular Brands / Series
UBT-550	5.50" x 5.50" Inch	Azek Post Covers Trex 6x6 Post Covers

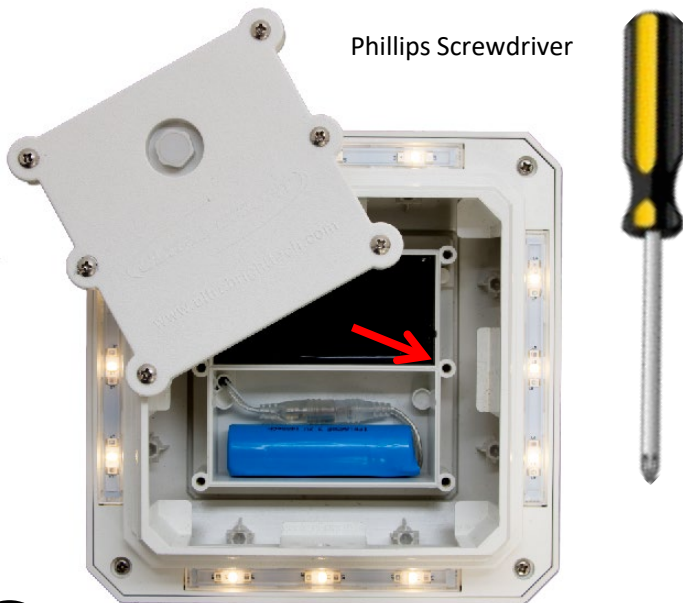
UBT-550

Fits Azek Brand & Trex Brand 6x6 Post Covers



Dimensions: (In.)

SOLAR POST CAP



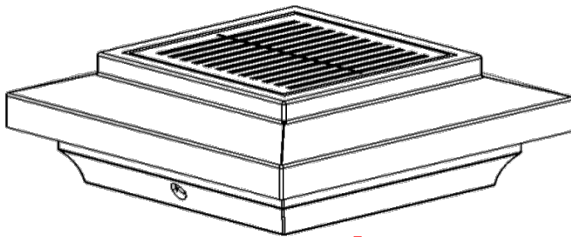
1

Use a screwdriver to remove the battery cover & connect the battery: **NOTE:** Align the connectors before joining.



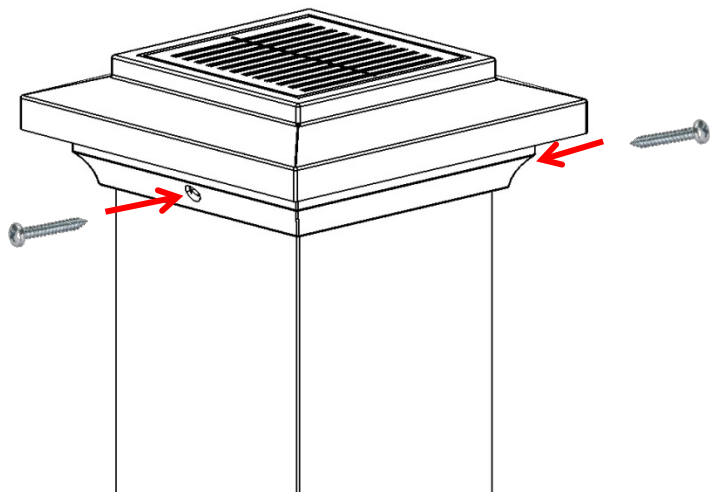
2

Tighten all screws to ensure a waterproof seal.



3

Place the solar Post Cap on the post. Mark both holes on the post. Use an appropriate drill bit to make a small pilot hole for the provided screws.



4

Use the provided screws to secure your solar post light to the post.

SOLAR POST CAP

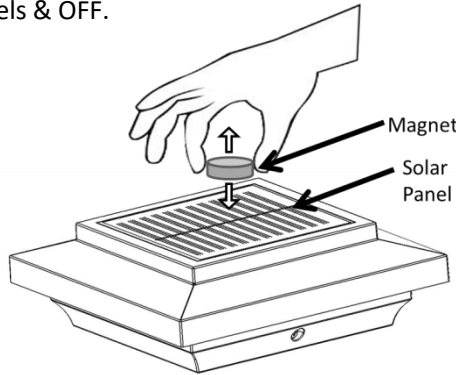


BRIGHTNESS SWITCH

Wave the magnet over the solar panel at NIGHT until you find the activation area which changes the brightness level. This operation only works at NIGHT or in absence of light.

Make a quick up & down motion over this area to change between brightness levels & OFF.

NOTE: moving too slowly may activate the magnet switch multiple times going through multiple levels at once. A quick motion will help.



4-Season Rated ! Adjustable Power & Run Times.



LED BRIGHTNESS LEVEL	RUN TIME BASED ON BATTERY CHARGE LEVEL				
	100%	80%	60%	40%	20%
7	10	8	6	4	2
6	13	10	8	5	3
5	15	12	9	6	3
4	20	16	12	8	4
3	29	23	17	11	6
2	50	40	30	20	10
1	100	80	60	40	20
OFF	OFF	OFF	OFF	OFF	OFF

5

NOTE: RUN TIMES ARE BASED ON A FULL CHARGE: MANY FACTORS MAY PREVENT A FULL CHARGE SEE BELOW

- **TESTING:** Place entire light in a dark room. Light should turn on, if not, swipe the magnet over the solar panel until light turns on.
- Run times will vary significantly based on factors such as; Sun Exposure, Season, Angle of Sunlight, Geographic Location, Shading, Installed Location/Position, Battery Condition, and most importantly, the Brightness Setting in comparison to the yearly season.
- The following run times should only be used as a general reference and are not guaranteed. Consider your local environment
- Lower brightness settings use less power and leave more reserve power for cloudy days where less recharging takes place.

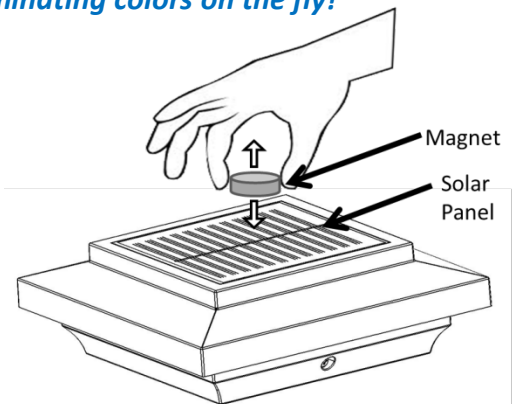
COLOR CHANGING SWITCH

Change illuminating colors on the fly!

Hold or place the magnet on top of the solar panel activation area for at least 5-seconds: After 5 seconds the illuminating color will change: Repeat process to cycle between White / Blue / Amber LED illuminating colors.

If process did not work ensure the magnet is close enough to the activation area. Operation only works at NIGHT or in absence of light.

After desired color is achieved: use a quick up/down motion over the activation area to set the desired brightness level & run time shown in the previous step.



6

TIPS & TRICKS: If you purchased multiple units place multiple magnets together creating a stronger magnet. This will help increase the size of the activation area and allow you to activate the switch further from the light!

PRODUCT & WARRANTY REGISTRATION: Visit www.ultrabrighttech.com/registration

Ultra Bright Technologies 1-Year Limited Warranty

The retailer warrants the Solar Lights to be free from defects in workmanship and material present at time of shipment from the factory for a period of one year after the date of purchase by the original purchaser. We agree to correct such defects without charge or at our option replace with a comparable or superior model if the product is returned to the retailer. To obtain warranty service, you must present a copy of the receipt as proof of purchase. All costs of removing and reinstalling the product are your responsibility. Damage to any part such as by accident or misuse or improper installation or by affixing any accessories, is not covered by this warranty. There is no other express warranty. The retailer hereby disclaims any and all warranties, including but not limited to, those of merchantability and fitness for a particular purpose to the extent permitted by law. The duration of any implied warranty, which cannot be disclaimed, is limited to the time period as specified in the express warranty. Some states do not allow limitation on how long an implied warranty lasts, so the above limitation may not apply to you. The retailer shall not be liable for incidental, consequential, or special damages arising out of or in connection with product use or performance except as may otherwise be accorded by law. Some states do not allow the exclusion of incidental or consequential damage, so the above exclusion or limitation may apply to you. This warranty gives specific legal rights, and you may also have other rights, which vary from state to state. This warranty supersedes all prior warranties.