



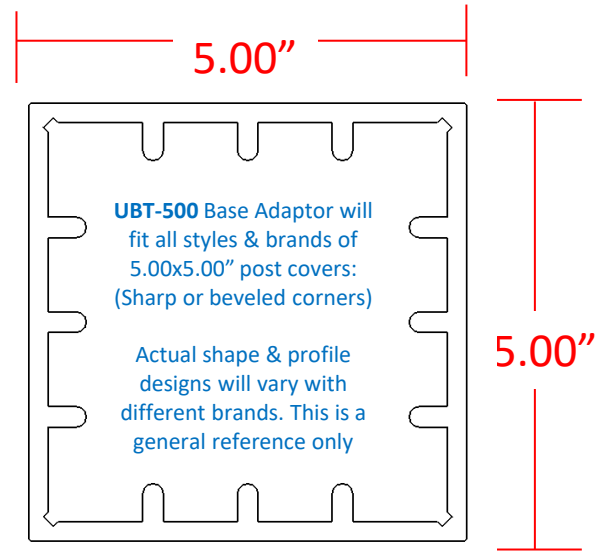
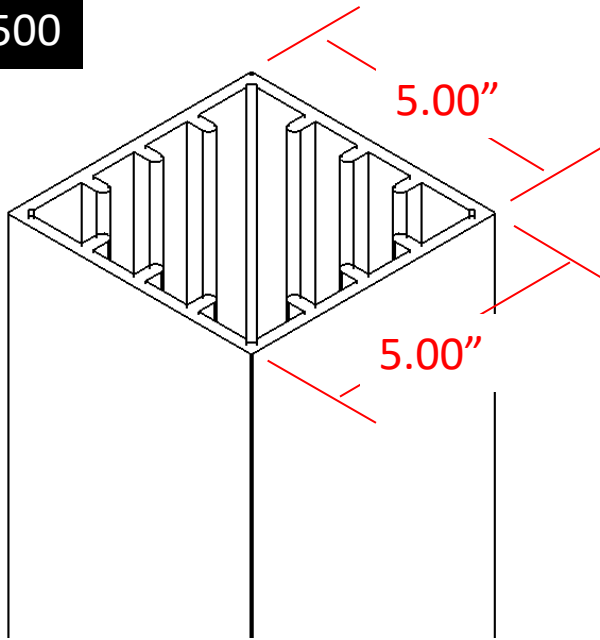


# BASE OPTIONS AVAILABLE FOR THIS MODEL

| Ultra Bright Base Option | Fits General Post Size         | * Various Popular Brands / Series |
|--------------------------|--------------------------------|-----------------------------------|
| UBT-500                  | 5.00" x 5.00" Inch             | General 5x5 Post Covers           |
| UBT 500-TT               | 5-1/16 x 5-16 Timber Tech ONLY | Timber Tech Post Covers ONLY      |

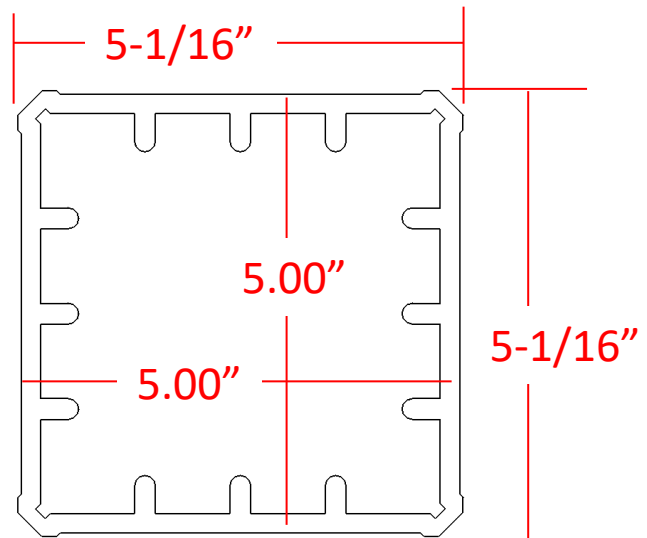
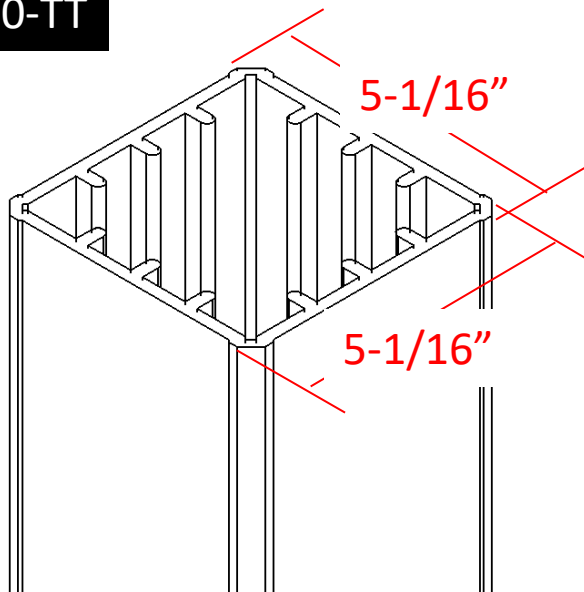
## UBT-500

## Fits General 5x5 Post Covers



## UBT-500-TT

## Fits TimberTech ONLY Post Covers



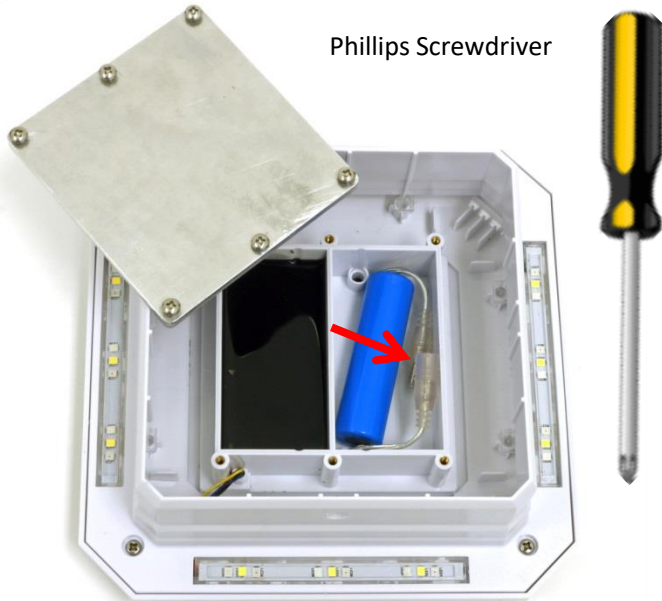
**NOTE:** TimberTech Post Covers measure approximately 5-1/16" x 5-1/16" from the protruding corners. The flat sides will measure approximately 5.00x5.00". If you have TimberTech Post covers please make sure to order the correct base adaptor.

Dimensions: (In.)

# SOLAR POST CAP

**ULTRA BRIGHT**  
TECHNOLOGIES

Phillips Screwdriver



1

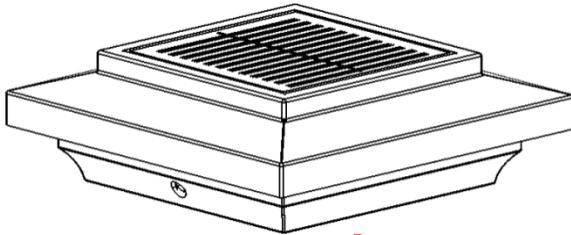
Use a screwdriver to remove the battery cover & connect the battery: **NOTE:** Align the connectors before joining.

Phillips Screwdriver



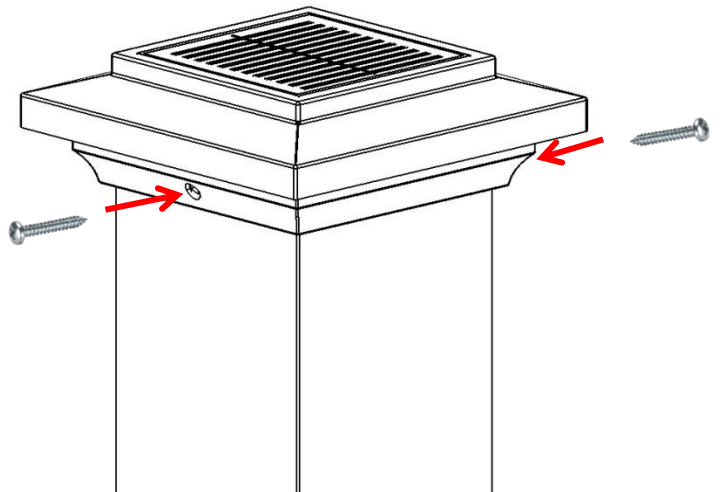
2

Ensure the silicone pad is under the battery cover and reinstall the cover in place. Tighten all screws to ensure a waterproof seal.



3

Place the solar Post Cap on the post. Mark both holes on the post. Use an appropriate drill bit to make a small pilot hole for the provided screws.



4

Use the provided screws to secure your solar post light to the post.

**ULTRA BRIGHT**  
TECHNOLOGIES

Ultra Bright Tech  
100 Industrial Dr.  
Avilla, IN 46710

Phone: 260-239-0974 / 260-918-2758  
E-mail: sales@ultrabrighttech.com  
Web: www.ultrabrighttech.com

# SOLAR POST CAP

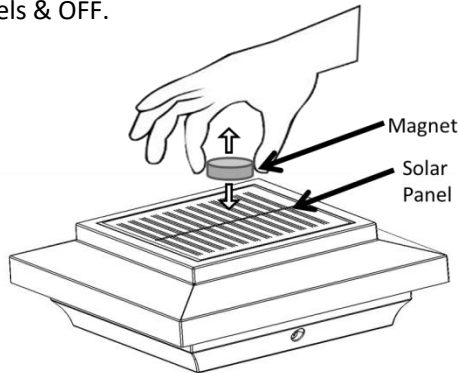
**ULTRA BRIGHT**  
TECHNOLOGIES

## BRIGHTNESS SWITCH

Wave the magnet over the solar panel at NIGHT until you find the activation area which changes the brightness level. This operation only works at NIGHT or in absence of light.

Make a quick up & down motion over this area to change between brightness levels & OFF.

**NOTE:** moving too slowly may activate the magnet switch multiple times going through multiple levels at once. A quick motion will help.



4-Season Rated ! Adjustable Power & Run Times.



| LED BRIGHTNESS LEVEL | RUN TIME BASED ON BATTERY CHARGE LEVEL |     |     |     |     |
|----------------------|--|-----|-----|-----|-----|
|                      | 100%                                   | 80% | 60% | 40% | 20% |
| 7                    | 10                                     | 8   | 6   | 4   | 2   |
| 6                    | 13                                     | 10  | 8   | 5   | 3   |
| 5                    | 15                                     | 12  | 9   | 6   | 3   |
| 4                    | 20                                     | 16  | 12  | 8   | 4   |
| 3                    | 29                                     | 23  | 17  | 11  | 6   |
| 2                    | 50                                     | 40  | 30  | 20  | 10  |
| 1                    | 100                                    | 80  | 60  | 40  | 20  |
| OFF                  | OFF                                    | OFF | OFF | OFF | OFF |

5

**NOTE: RUN TIMES ARE BASED ON A FULL CHARGE: MANY FACTORS MAY PREVENT A FULL CHARGE SEE BELOW**

- **TESTING:** Place entire light in a dark room. Light should turn on, if not, swipe the magnet over the solar panel until light turns on.
- Run times will vary significantly based on factors such as; Sun Exposure, Season, Angle of Sunlight, Geographic Location, Shading, Installed Location/Position, Battery Condition, and most importantly, the Brightness Setting in comparison to the yearly season.
- The following run times should only be used as a general reference and are not guaranteed. Consider your local environment
- Lower brightness settings use less power and leave more reserve power for cloudy days where less recharging takes place.

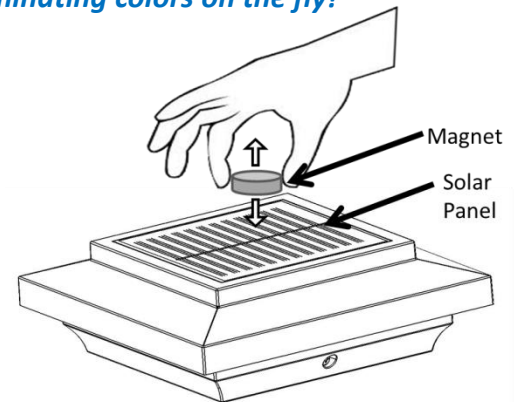
## COLOR CHANGING SWITCH

Change illuminating colors on the fly!

Hold or place the magnet on top of the solar panel activation area for at least 5-seconds: After 5 seconds the illuminating color will change: Repeat process to cycle between White / Blue / Amber LED illuminating colors.

If process did not work ensure the magnet is close enough to the activation area. Operation only works at NIGHT or in absence of light.

After desired color is achieved: use a quick up/down motion over the activation area to set the desired brightness level & run time shown in the previous step.



6

**TIPS & TRICKS:** If you purchased multiple units place multiple magnets together creating a stronger magnet. This will help increase the size of the activation area and allow you to activate the switch further from the light!

**PRODUCT & WARRANTY REGISTRATION: Visit [www.ultrabrighttech.com/registration](http://www.ultrabrighttech.com/registration)**

### Ultra Bright Technologies 1-Year Limited Warranty

The retailer warrants the Solar Lights to be free from defects in workmanship and material present at time of shipment from the factory for a period of one year after the date of purchase by the original purchaser. We agree to correct such defects without charge or at our option replace with a comparable or superior model if the product is returned to the retailer. To obtain warranty service, you must present a copy of the receipt as proof of purchase. All costs of removing and reinstalling the product are your responsibility. Damage to any part such as by accident or misuse or improper installation or by affixing any accessories, is not covered by this warranty. There is no other express warranty. The retailer hereby disclaims any and all warranties, including but not limited to, those of merchantability and fitness for a particular purpose to the extent permitted by law. The duration of any implied warranty, which cannot be disclaimed, is limited to the time period as specified in the express warranty. Some states do not allow limitation on how long an implied warranty lasts, so the above limitation may not apply to you. The retailer shall not be liable for incidental, consequential, or special damages arising out of or in connection with product use or performance except as may otherwise be accorded by law. Some states do not allow the exclusion of incidental or consequential damage, so the above exclusion or limitation may apply to you. This warranty gives specific legal rights, and you may also have other rights, which vary from state to state. This warranty supersedes all prior warranties.